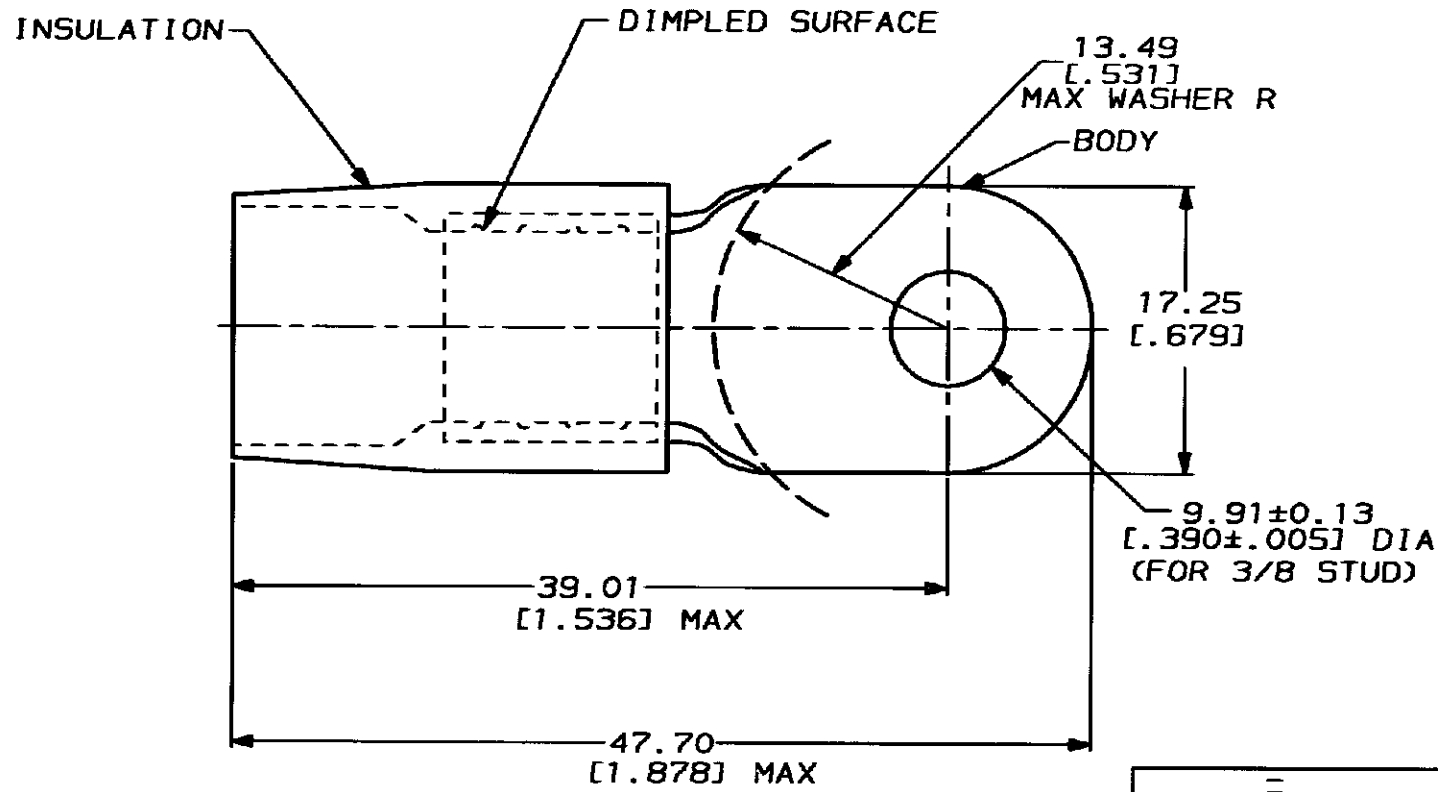


4
DRAWING MADE IN THIRD ANGLE PROJECTION

THIS DRAWING IS UNPUBLISHED. RELEASED FOR PUBLICATION, 19 .
 © COPYRIGHT 19 BY AMP INCORPORATED. ALL INTERNATIONAL RIGHTS RESERVED.

LOC	DIST	P	F	REVISIONS			
ZONE	LTR	DESCRIPTION	DATE	APPD			
G	14			G	EC 0720-0279-93	6-21-93	BB



AMP
WIRE RANGE
4 AWG
STRANDED

METRIC
DIMENSIONS LISTED IN mm [INCHES]

1. TONGUE MATERIAL THK 1.22±0.08 [0.048±0.003] FOR 9.70 [0.382] MAX WIRE INS DIA

AMP INCORPORATED CUSTOMER SERVICE SYSTEMS	
FOR ADDITIONAL PRODUCT INFORMATION OR COPIES OF DRAWINGS AND TECHNICAL DOCUMENTS	PRODUCT INFORMATION CENTER 1-800-522-6752
FOR APPLICATION TOOLING INFORMATION	TOOLING ASSISTANCE CENTER 1-800-722-1111
FOR ORDER ENTRY	1-800-526-5142

MAX RECOMMENDED OPERATING TEMPERATURE:
105°C

VOLTAGE RATING:
-

CIRCULAR MIL AREA:
16.8-26.7mm² [33, 100-52, 600]
STRANDED

THIS DRAWING IS A CONTROLLED DOCUMENT FOR AMP INCORPORATED. IT IS SUBJECT TO CHANGE AND THE CONTROLLING ENGINEERING ORGANIZATION SHOULD BE CONTACTED FOR THE LATEST REVISION.

MILITARY P/N AND CLASS	10	LOOSE PC, BOX	8-324052-5
		LOOSE PC	324052
	QTY	PACKAGE TYPE	PART NO
DO NOT SCALE PRINT. UNLESS SPECIFIED	DR 6-18-93 S.S. COULDEN	AMP AMP Incorporated Harrisburg, PA 17105-3608	
TOLERANCES UNLESS SPECIFIED: 2 PLC DEC ± 0.20(0.008) 3 PLC DEC ± - ANGLES ± -	CHK 6-18-93 R. HERSEY		
MATERIAL COPPER PER ASTM B-152 NYLON (MIL-N-20693) TYPE 1 COLOR: YELLOW	APPD 6-18-93 B. BARE	NAME	
FINISH TIN PLATE PER MIL-T-10727	APPD 6-18-93 W. ELLIS	TERMINAL, RING TONGUE, TERMINYL WIRE SIZE: 4 AWG	
	APPLICATION SPEC	SIZE	CAGE CODE
	WEIGHT	B	00779
		DRAWING NO	C-324052
		SCALE	N75
		SHEET	1 OF 1